

# CULINARY Series Model NPC321910DLS

Double bowl undermount stainless steel sink

"EZ Clean" ZERO Radius Corners

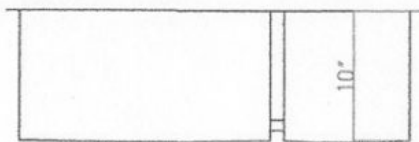
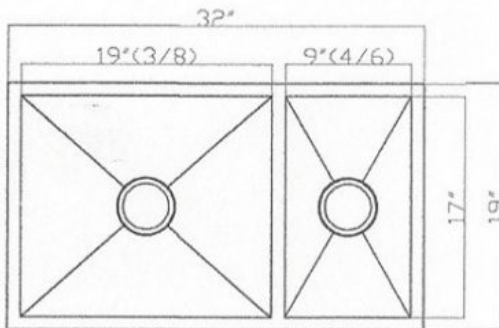
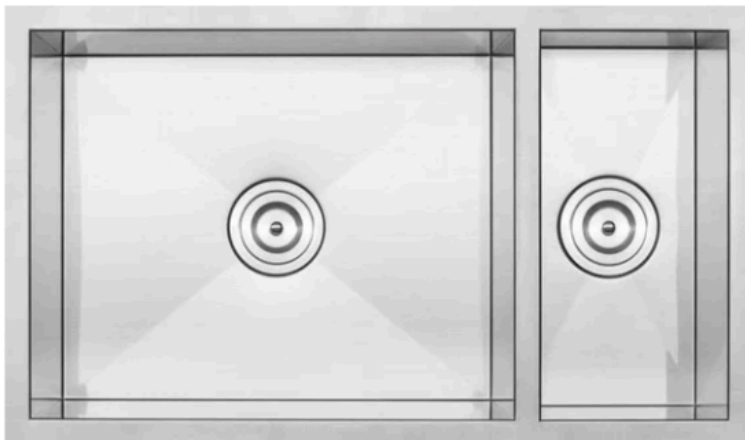


## SPECIFICATION SHEET

### NPC321910DLS Specification

North Point Industries Inc. Model NPC321910DLS is a double offset bowl undermount kitchen sink manufactured from 16 gauge 18/10 antibacterial stainless steel. The entire basin is handcrafted and hand brushed on the bottom and sides. The sink includes our exclusive silent system undercoating and sound deadening pads. The sink includes our deep cup, stainless steel strainer drain, bottom grid, undermount installation clips and template.

### BASIN IS REVERSIBLE ON SITE FOR LEFT OR RIGHT



X 2

### Stainless Steel

Thickness 18 gauge

Type 18/10 Antibacterial

### Bowl Configuration

Double Offset Bowl, reversible

### Install Type

Undermount

### Warranty

Lifetime Limited Warranty

### Included Items

Silent System undercoating

Silent System deadening pads

Deep Cup strainer drain

Undermount mounting clips

Bottom Grid

Install template

