

Pro Chef Series Model NPC321910R

Single Bowl Undermount S.S. Sink

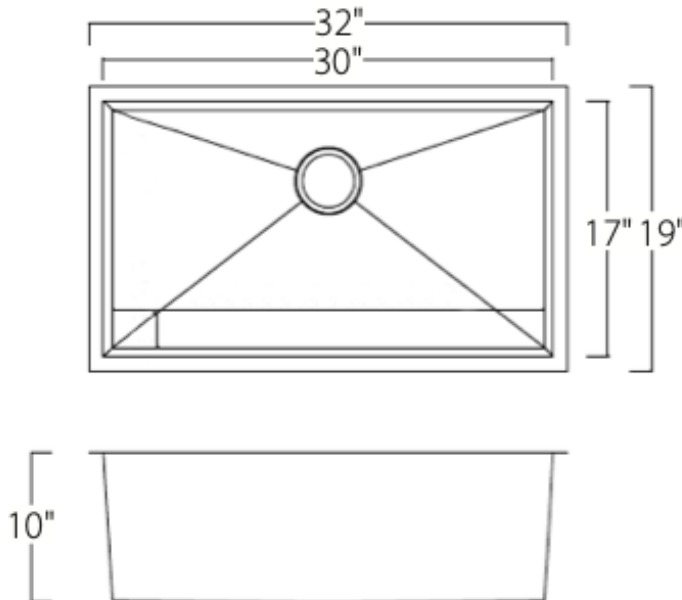
"EZ Clean" Zero Radius Corners



SPECIFICATION SHEET

NPC321910R Specification

North Point Industries Inc. Model NPC321910R is a single bowl undermount kitchen sink manufactured from 18 gauge 18/10 antibacterial stainless steel. The entire basin is handcrafted and hand brushed on the bottom and sides. The sink includes our exclusive silent system undercoating and sound deadening pads. The sink includes undermount installation clips and template.



Stainless Steel

Thickness 18 gauge

Type 18/10 Antibacterial

Satin Finish

Bowl Configuration

Single Bowl

Rear Drain Placement

Install Type

Undermount

Warranty

Lifetime Limited Warranty

Included Items

Silent System undercoating

Silent System sound deadening pads

Undermount install clips

Cutout template

